

## Light-emitting diode module

### Prism PRO4 HE+

#### TECHNICAL INFORMATION

LED type	2835
Input	12V DC
Color temperature	6500 K
Beam angle	165°
Protection level	IP 67
Center-to-center distance	340 mm
Working temperature	-30°C + 50°C
Available colors	●
Power	<b>1,44 W</b>
Light output	<b>224 lm</b>

**FOR CHANNEL LETTERS**

MODULE DESIGNED FOR CHANNEL LETTERS

DEPTH 100-200 MM

BEST FOR 100-200MM DEEP LIGHTBOXES

MIN MAX

1:1.8 RATIO

RECOMMENDED DEPTH: CC DISTANCE RATIO

**UPTO 160LM/W**

HIGH EFFICIENCY LED INSIDE

**IP 67**

DUST AND WATER PROTECTED

**224 lm**

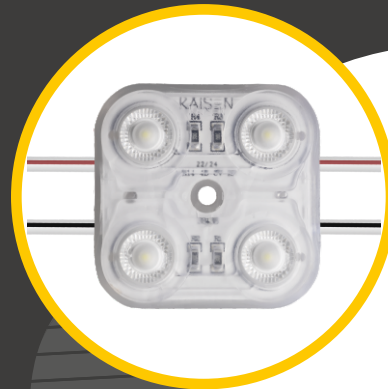
HIGH BRIGHTNESS 224 LM PER MODULE

**6500 K**

6500 K AND OTHER COLORS

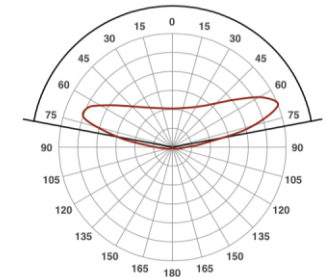
**5 YEARS WARRANTY**

5 YEAR EXTENDED WARRANTY

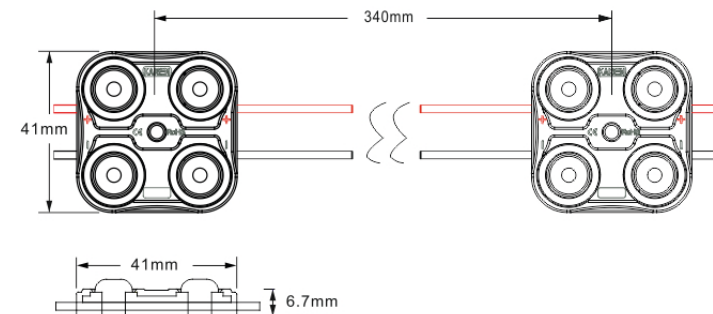


#### LIGHT DISTRIBUTION GRAPH

Beam angle is 165°



#### DIMENSIONS



#### PACKAGING

Packing type	Chain	Package	Box
Quantity	20 pcs	100 pcs	800 pcs
Weight	0,5 kg	2,5 kg	20,3 kg

#### CONNECTION

